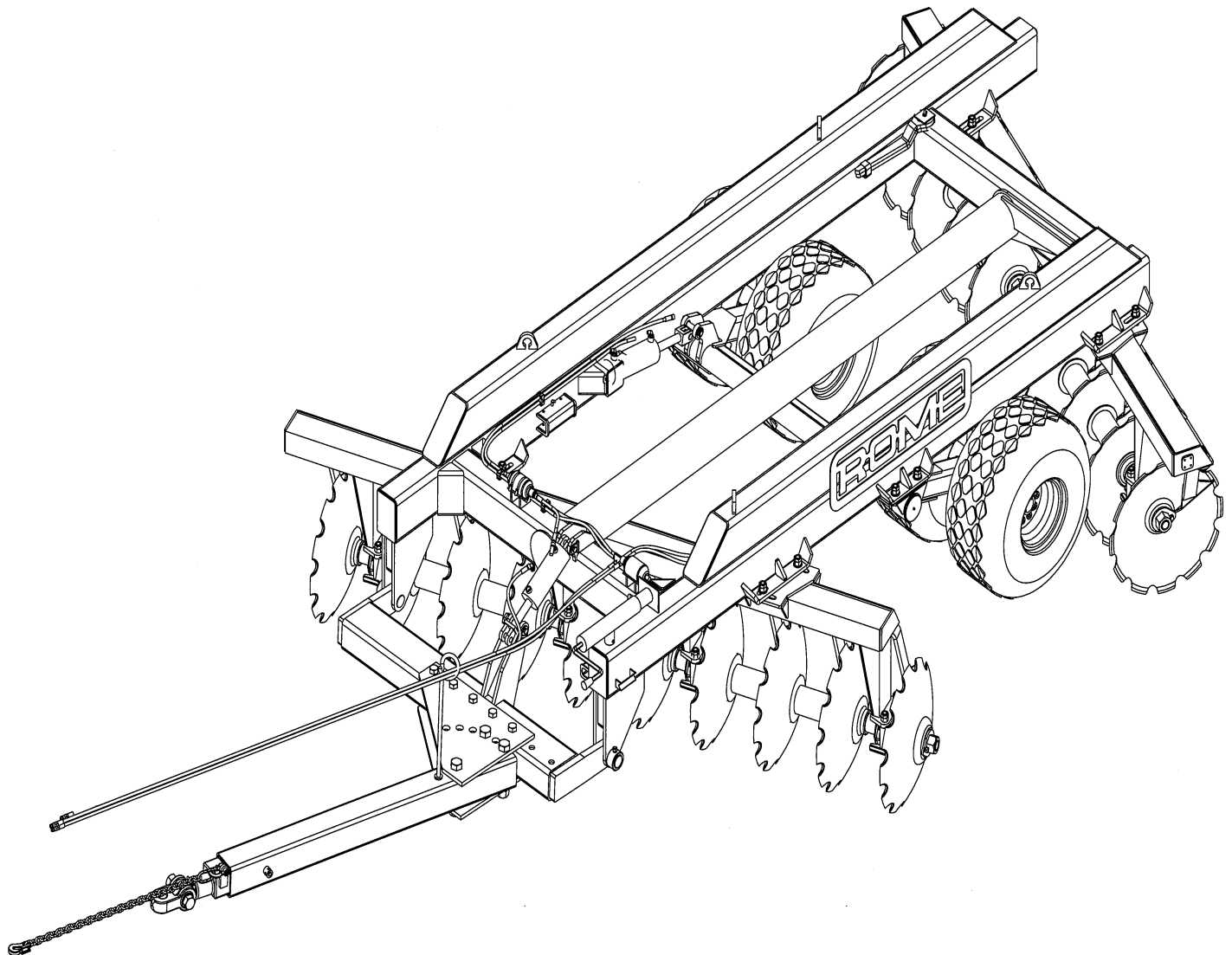




PARTS MANUAL



WHEEL OFFSET DISC HARROW MODEL: TRCW-24-B1-OB

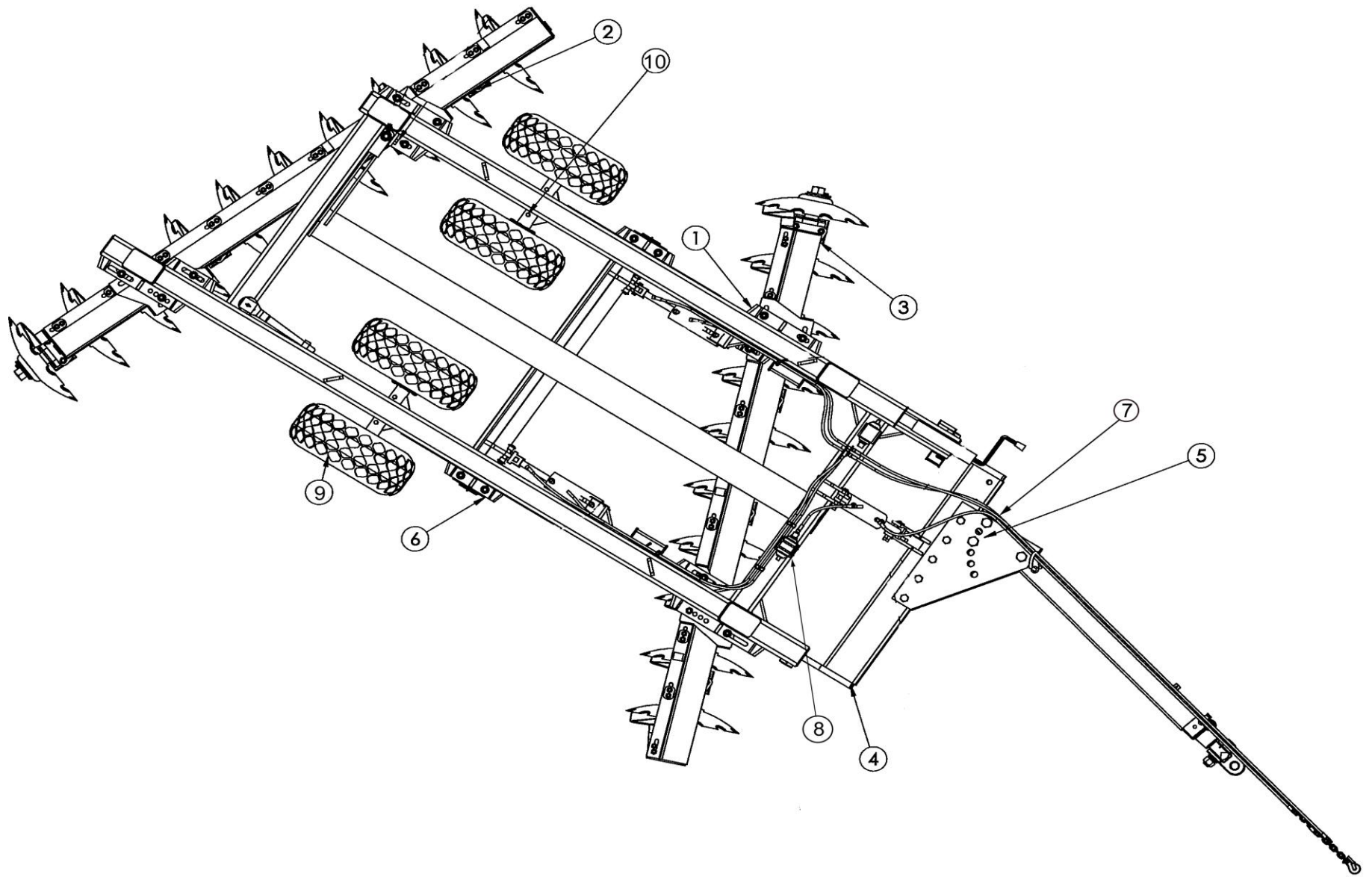
SERIAL #:
12TRCWB1204OB

PUBLISHED DATE: 02/21/2020

MODIFICATION DATE: 04/07/2021

TABLE OF CONTENTS

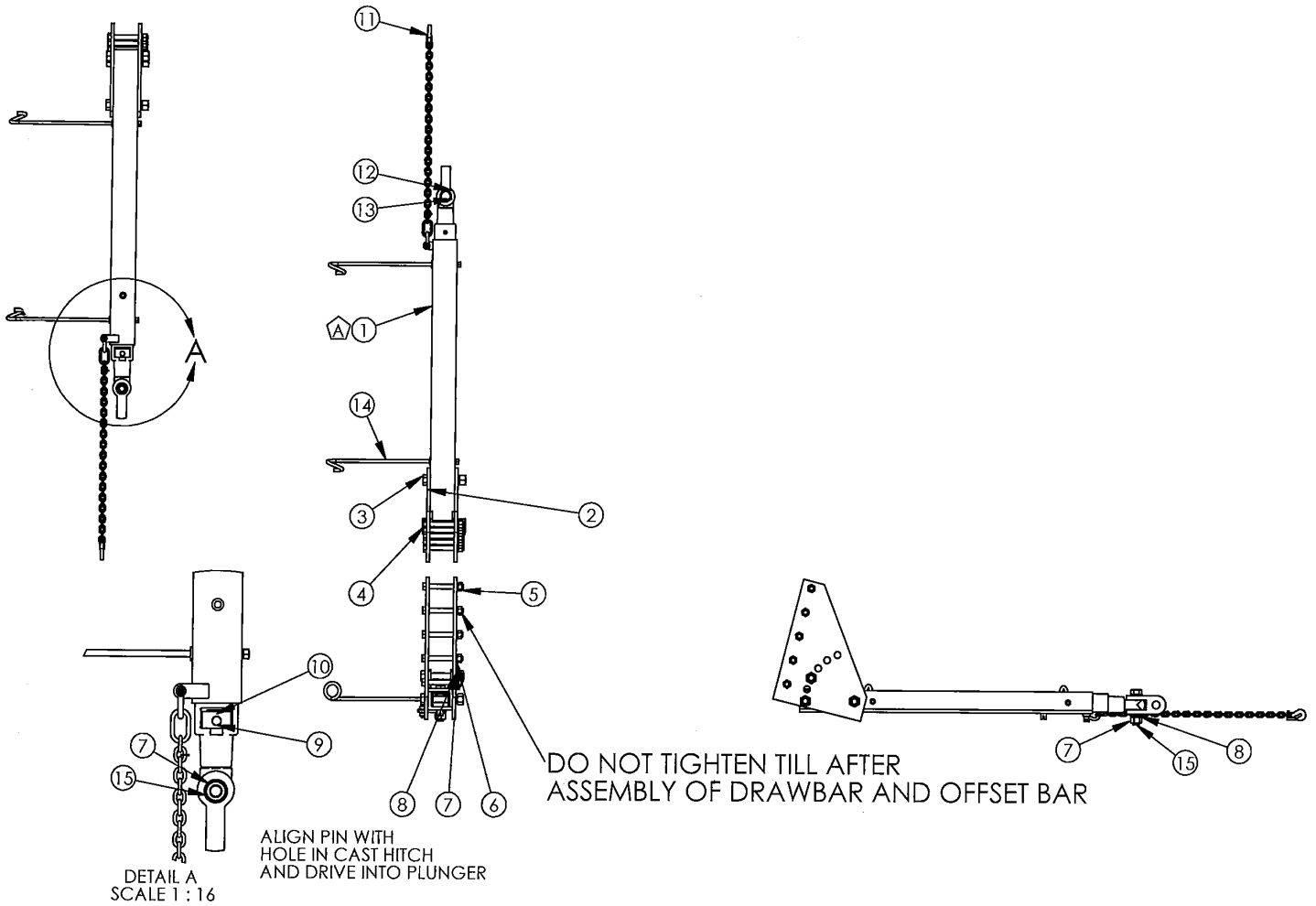
GROUP ASSEMBLY.....	3-4
3058396 DRAWBAR ASSEMBLY COMPLETE.....	5
3063098 DRAWBAR ASSEMBLY COMPLETE.....	6
3058407 OFFSET BAR ASSEMBLY.....	7
HS-TRCW20-24X HYDRAULIC SCHEMATIC.....	8
HS-TRCW20-24 HYDRAULIC SCHEMATIC.....	9
3061258 FRONT GANG CARRIER.....	10
3062245 REAR GANG CARRIER.....	11
RCH-520AF & RCH-520AR SCRAPER ASSEMBLIES.....	12
3061284 GANG ASSEMBLY.....	13
3059456 FRAME ASSEMBLY.....	14-15
3065591 TRANSPORT ASSEMBLY.....	16
3031914 HUB ASSEMBLY.....	17
3054932 TRANSPORT BEARING.....	18
RW-3840 RIM & TIRE ASSEMBLY.....	19
2R-810 BAG OF WRENCHES.....	20
5005125 TRANSPORT CYLINDER.....	21
5005855 TRANSPORT CYLINDER.....	22
5005141 TONGUE LEVELING CYLINDER.....	23
3R-66WPA BEARING WEAR PLATE ASSEMBLY.....	24
NOTES.....	25
3046990 SAFETY DECAL GROUP.....	26-27
HOW TO ORDER PARTS.....	28
WARRANTY.....	29
LIMITED WARRANTY / REGISTRATION FORM.....	30



GROUP ASSEMBLY
***FOR REFERENCE ONLY**

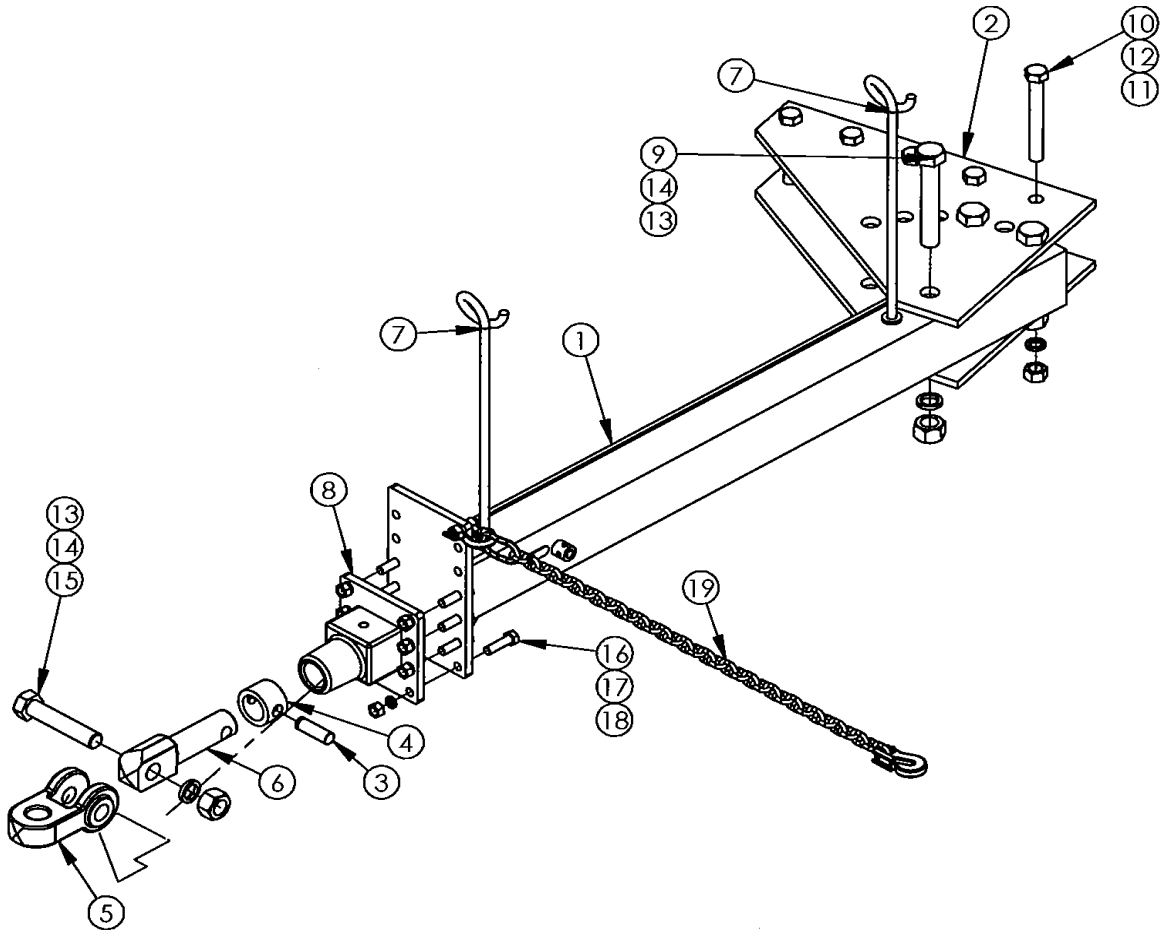
REF. NO.	PART NAME	NO. REQ'D
1	WHOLE FRAME & TRANSPORT	1
2	REAR GANG ASSY	1
2	REAR GANG ASSY	1
3	FRONT GANG ASSY	1
3	FRONT GANG ASSY	1
4	OFFSET BAR	1
5	DRAWBAR	1
6	TRANSPORT BEARING	2
7	HYDRULIC ASSEMBLY	1
8	NITROGEN ACCUMULATER	1
9	WHEEL & TIRE ASSEMBLY	4
10	TRANSPORT	1

GROUP ASSEMBLY
*FOR REFERENCE ONLY



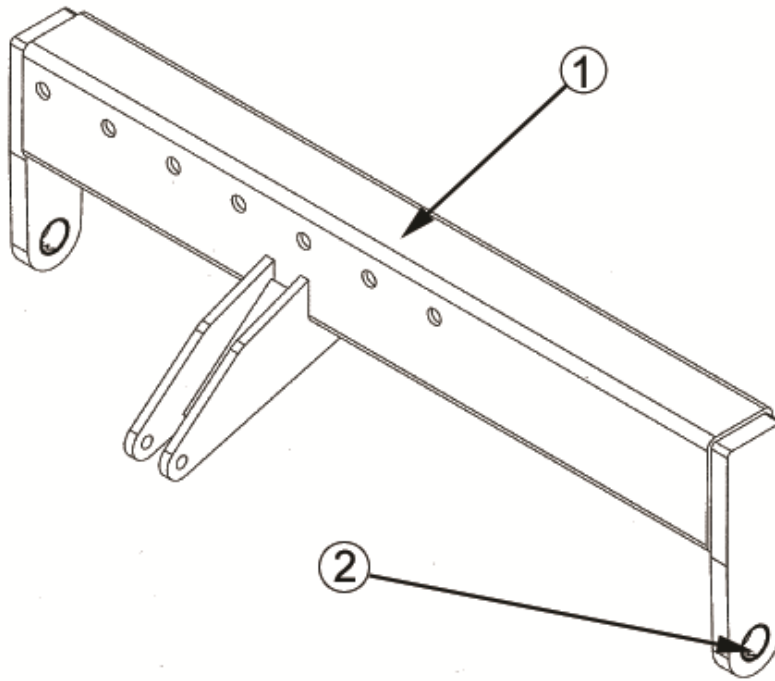
REF. NO.	PART NUMBER	PART NAME	NO. REQ'D
1	3062252	DRAWBAR	1
2	3005026	BOLT PLATE	2
3	2001200B8	BOLT, 2" X 12"	3
4	1501200B5	BOLT, 1 1/2" X 12"	5
5	NC-150	NUT, 1 1/2"	5
6	LW-150	LOCK WASHER, 1 1/2"	5
7	NC-200	NUT, 2"	4
8	LW-200	LOCK WASHER, 2"	4
9	DL-150475	PIN	1
10	RC-325	PLUNGER COLLAR	1
11	3032286	SAFETY CHAIN	1
12	YH-90B	CLEVIS HITCH	1
13	YH-91A	PLUNGER	1
14	AW-3270A	HOSE MAST	2
15	2001000B8	HEX BOLT	1

3058396 DRAWBAR ASSEMBLY COMPLETE
 USE UP TO S/N: 10TRCW-201 AND 12TRCW-106



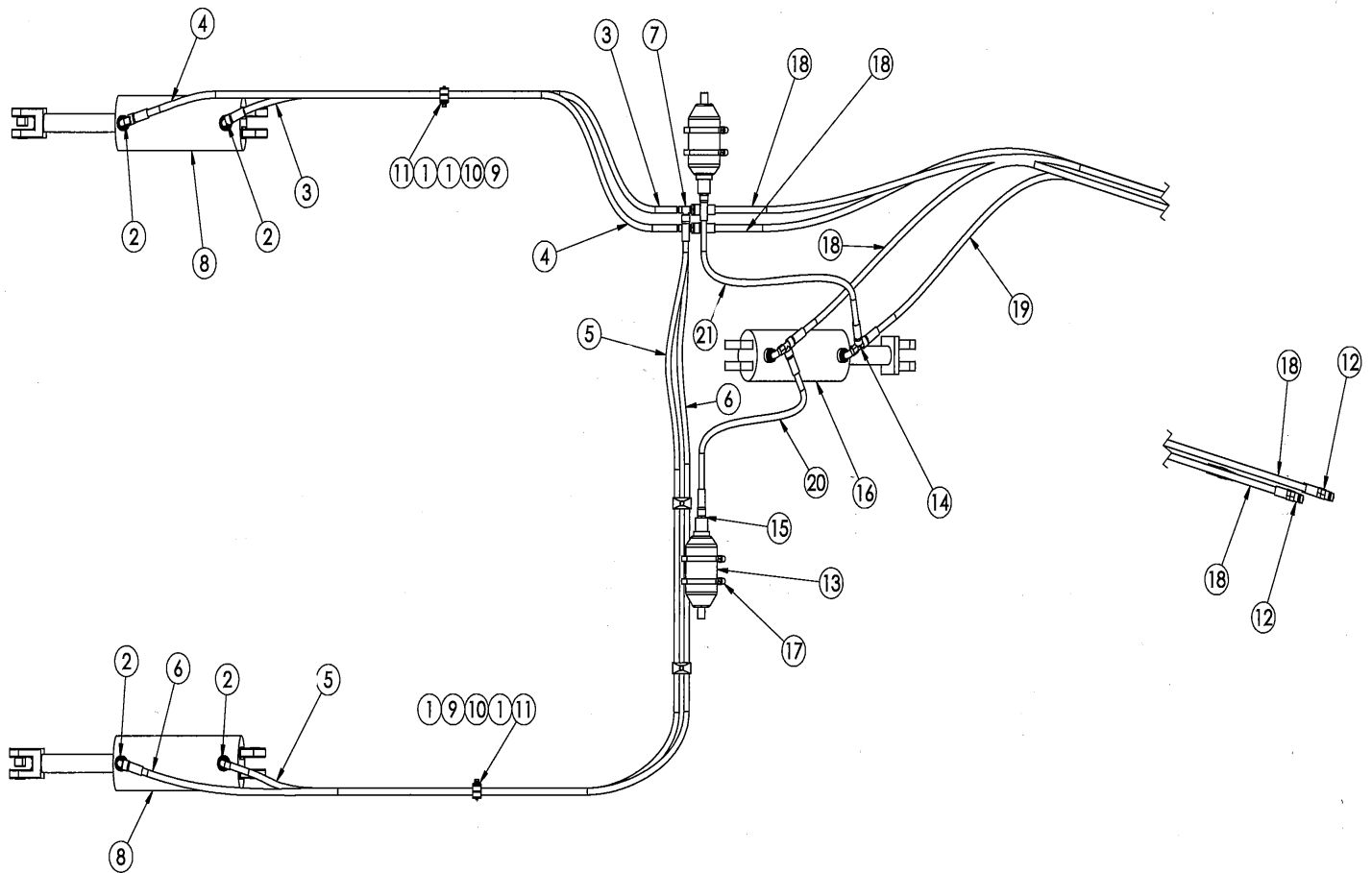
REF. NO.	PART NUMBER	PART NAME	NO. REQ'D
1	3063099	DRAWBAR	1
2	3005026	BOLT PLATE	2
3	DL-150475	PIN	1
4	RC-325	PLUNGER COLLAR	1
5	YH-90B	CLEVIS HITCH	1
6	YH-91A	PLUNGER	1
7	AW-3270A	HOSE MAST	2
8	3063102	HITCH	1
9	2001200B8	BOLT	3
10	1501200B5	BOLT	5
11	NC-150	HEX NUT	5
12	LW-150	LOCK WASHER	5
13	NC-200	NUT	4
14	LW-200	LOCK WASHER	4
15	2001000B8	HEX BOLT	1
16	100350B8	HEX BOLT	8
17	LW-100	LOCK WASHER	8
18	NC-100	NUT	8
19	3032286	SAFETY CHAIN & SHACKLE ASSEMBLY	1

3063098 DRAWBAR ASSEMBLY COMPLETE
 USED ON AND AFTER S/N: 10TRCW-202 AND 12TRCW-107



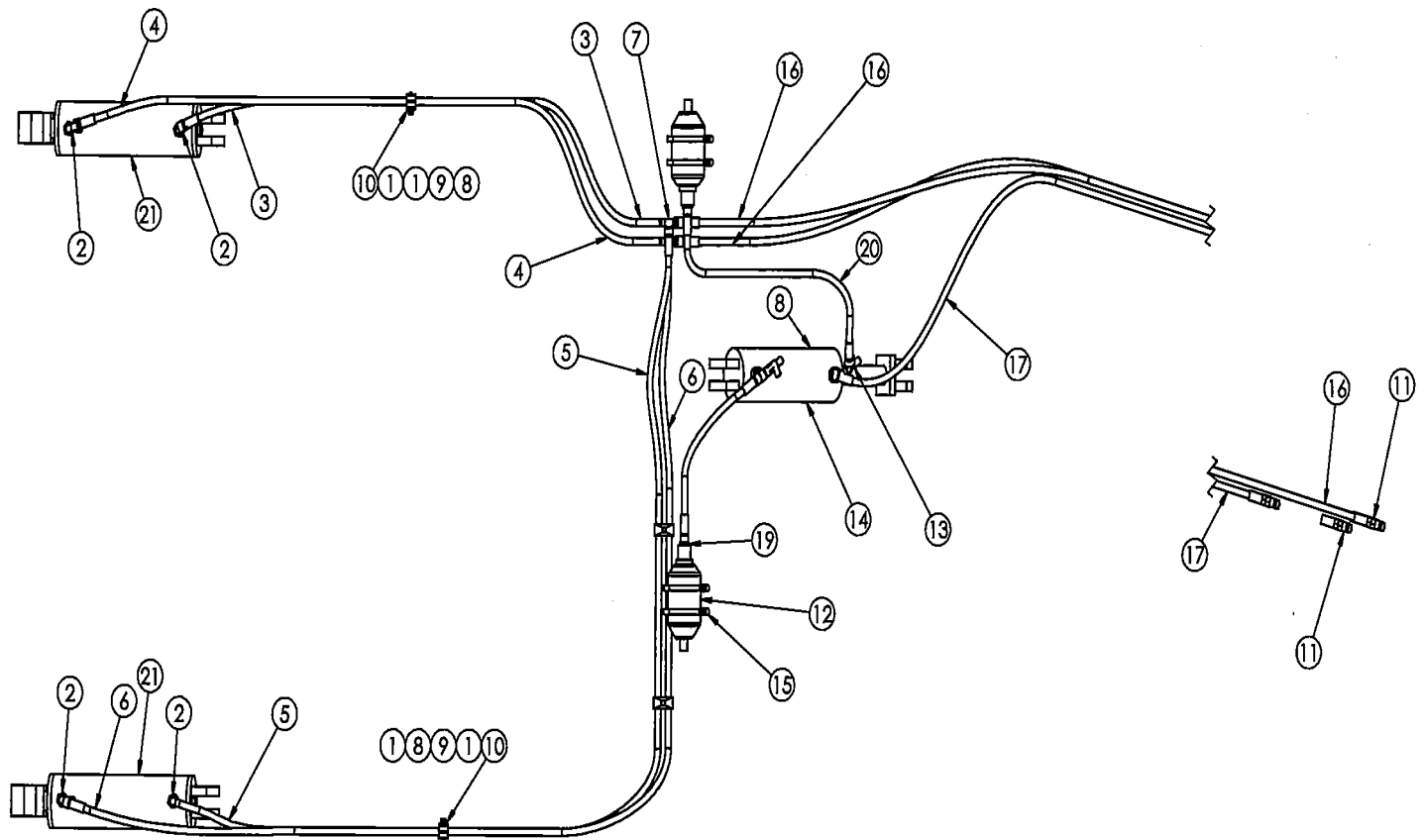
REF. NO.	PART NUMBER	PART NAME	NO. REQ'D
1	3058391	OFFSET BAR	1
2	5005736	PIN BUSHING, 3"	2

3058407 OFFSET BAR ASSEMBLY



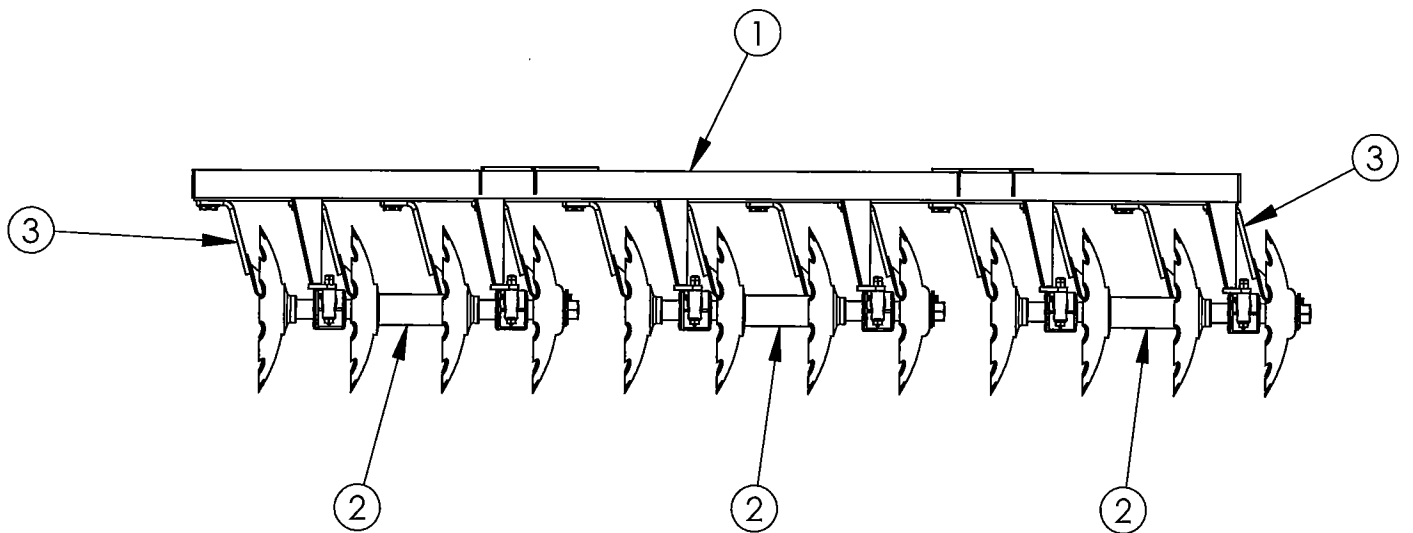
REF. NO.	PART NUMBER	PART NAME	NO. REQ'D
1	5005453	HOSE CLAMP HALVE	8
2	5000618	3/4" O-RING BOSS X 1/2" MJIC 90	6
3	3059764	HOSE ASSEMBLY, 74"	1
4	3059765	HOSE ASSEMBLY, 90"	1
5	3059766	HOSE ASSEMBLY, 126"	1
6	3059767	HOSE ASSEMBLY, 140"	1
7	5000557	BULKHEAD TEE	2
8	5005125	HYDRRAULIC CYLINDERS, 5" X 12"	2
9	031200B5	BOLT, 5/16" X 2" GRADE 5	4
10	LW-031	LOCK WASHER, 5/16"	4
11	5005452	COVER PLATE	4
12	5004267	MALE QUICK COUPLER	4
13	5005737	NITROGEN ACCUMULATOR	2
14	5000673	SWIVEL NUT RUN TEE	2
15	5000583	STRAIGHT ADAPTER MNPT-MJIC	2
16	5005141	WELDED CYLINDER, 5" X 8"	1
17	5005742	LARGE CLAMP	4
18	3059769	HOSE ASSEMBLY, 208"	3
19	3059768	HOSE ASSEMBLY, 198"	1
20	3060643	HOSE ASSEMBLY, 24"	1
21	H-340J-8-36	HOSE ASSEMBLY, 36"	1

HS-TRCW20-24X HYDRAULIC SCHEMATIC
USED UP TO SERIAL NUMBERS 10TRCW-112 & 12TRCW-105



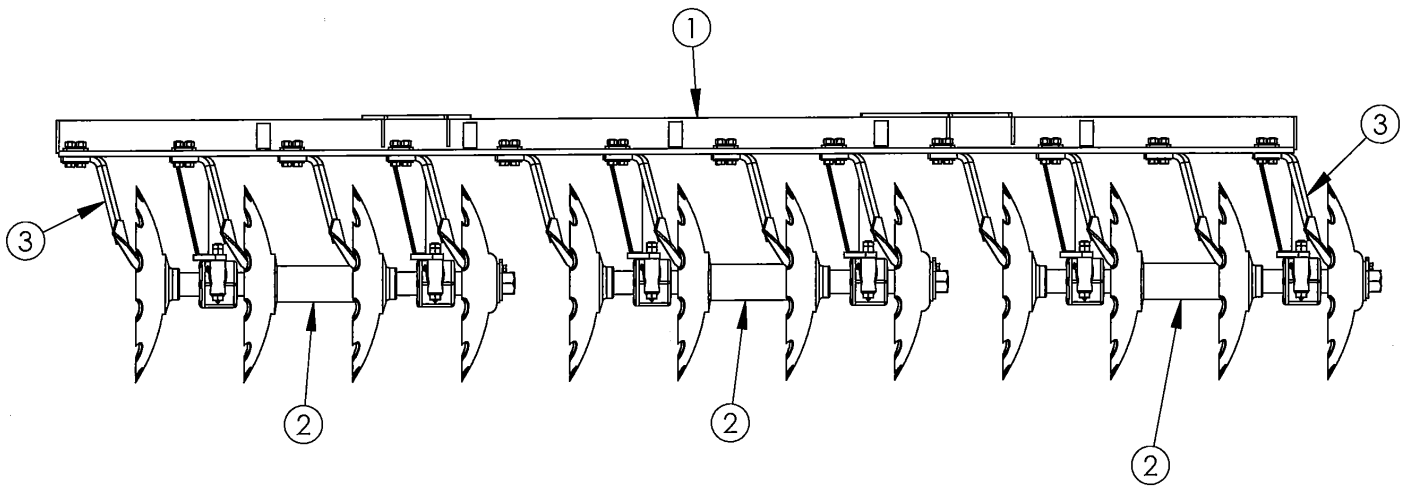
REF. NO.	PART NUMBER	PART NAME	NO. REQ'D
1	5005453	HOSE CLAMP HALVE	8
2	5000618	3/4" O-RING BOSS X 1/2" MJIC 90	6
3	3059764	HOSE ASSEMBLY, 74"	1
4	3059765	HOSE ASSEMBLY, 90"	1
5	3059766	HOSE ASSEMBLY, 126"	1
6	3059767	HOSE ASSEMBLY, 140"	1
7	5000557	BULKHEAD TEE	2
8	031200B5	BOLT, 5/16" X 2" GRADE 5	4
9	LW-031	LOCK WASHER, 5/16"	4
10	5005452	COVER PLATE	4
11	5004267	MALE QUICK COUPLER	4
12	5005737	NITROGEN ACCUMULATOR	2
13	5000673	SWIVEL NUT RUN TEE	2
14	5005141	WELDED CYLINDER, 5" X 8"	1
15	5005742	LARGE CLAMP	4
16	3059769	HOSE ASSEMBLY, 208"	3
17	3059768	HOSE ASSEMBLY, 198"	1
18	3060643	HOSE ASSEMBLY	1
19	3061126	MODIFIED FITTING FOR NITROGEN ACCUM.	2
20	H-340J-8-36	HOSE ASSEMBLY, 36"	1
21	5005855	CYLINDER, 5" X 12"	2

HS-TRCW20-24 HYDRAULIC SCHEMATIC
USED ON & AFTER TO SERIAL NUMBERS 10TRCW-113 & 12TRCW-106



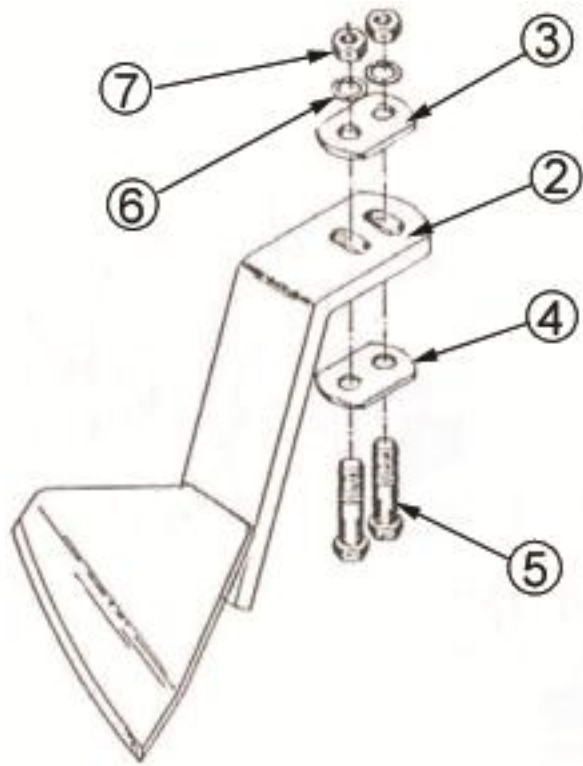
REF. NO.	PART NUMBER	PART NAME	NO. REQ'D
1	RCW-625FA	FRONT GANG CARRIER	1
2	3061284	GANG ASSEMBLY, 4 DISC	3
3	RCH-520AF	FRONT SCRAPER	12

3061258 FRONT GANG CARRIER
USED ON & AFTER TO SERIAL NUMBER 12TRCW-106

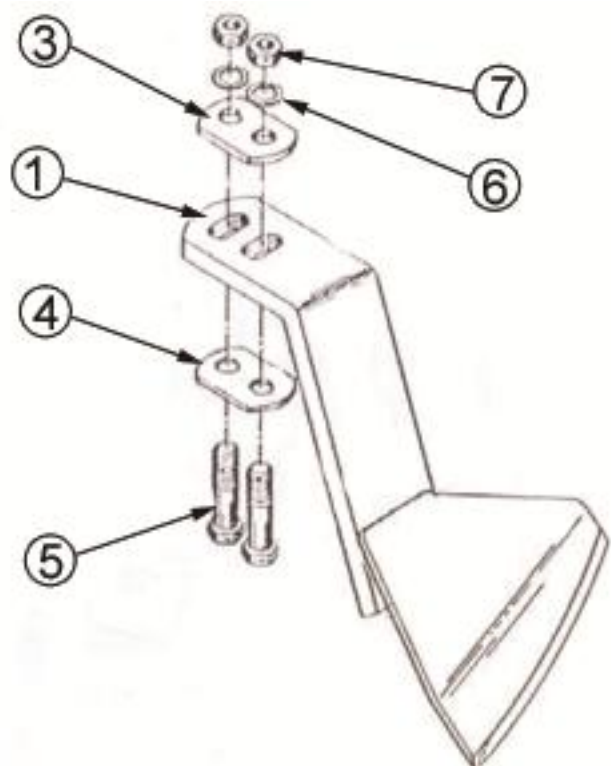


REF. NO.	PART NUMBER	PART NAME	NO. REQ'D
1	RCW-625RA	REAR GANG CARRIER	1
2	3061284	GANG ASSEMBLY, 4 DISC	3
3	RCH-520AR	REAR SCRAPER	12

3062245 REAR GANG CARRIER
USED ON & AFTER TO SERIAL NUMBER 12TRCW-106



RCH-520AR



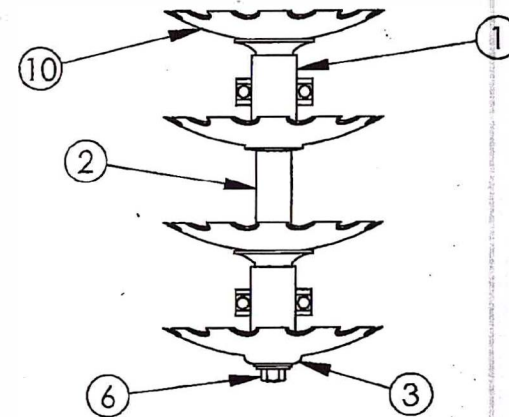
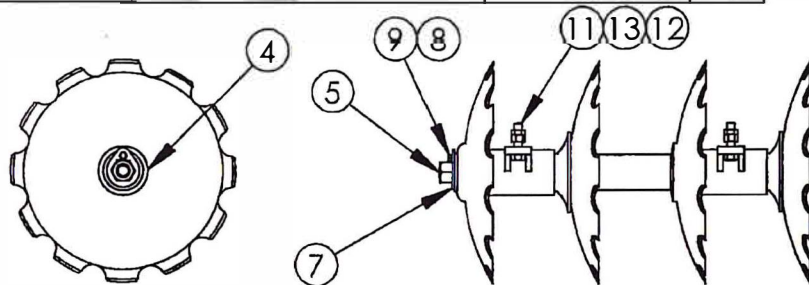
RCH-520AF

REF. NO.	PART NUMBER	PART NAME	NUMBER REQUIRED	
			RCH-520AF	RCH-520AR
1	RCH-52BF	FRONT SCRAPER ASSEMBLY	1	-
2	RCH-52BR	REAR SCRAPER ASSEMBLY	-	1
3	RCH-57	CLAMP PLATE, 1/4" THICK	1	1
4	RCH-58	CLAMP PLATE, 1/2" THICK	1	1
5	100400B5	HEX SCREW, 1" X 4" GRADE 5	2	2
6	LW-100	LOCK WASHER, 1"	2	2
7	NC-100	HEX NUT, 1"	2	2

RCH-520AF (FRONT) & RCH-520AR (REAR) SCRAPER ASSEMBLIES

3061284

ITEM NO.	PART NUMBER	DESCRIPTION	MATERIAL	QTY.
1	5005783	OIL BATH BEARING	NOTED	2
2	3000456	DISK SPACER	NOTED	1
3	4R-60B	BUMPER WASHER	PURCHASED	1
4	4R-64A	AXLE WASHER	PURCHASED	1
5	6RCH-1AX	AXLE	2.50 ROUND	1
6	4N-225	AXLE NUT	PURCHASED	2
7	NL-225	AXLE NUT LOCK	.50" RP-51 PLATE	2
8	LW-075	3/4" LOCK WASHER	PURCHASED	2
9	075200B5	3/4" X 2" BOLT GRADE 5	PURCHASED	2
10	3000361	42" DISK	PURCHASED	4
11	150600B8	1.50" X 6" HEX BOLT	PURCHASED	4
12	NC-150	HEX NUT	PURCHASED	4
13	NC-150J	1-1/2" JAM NUT	PURCHASED	4



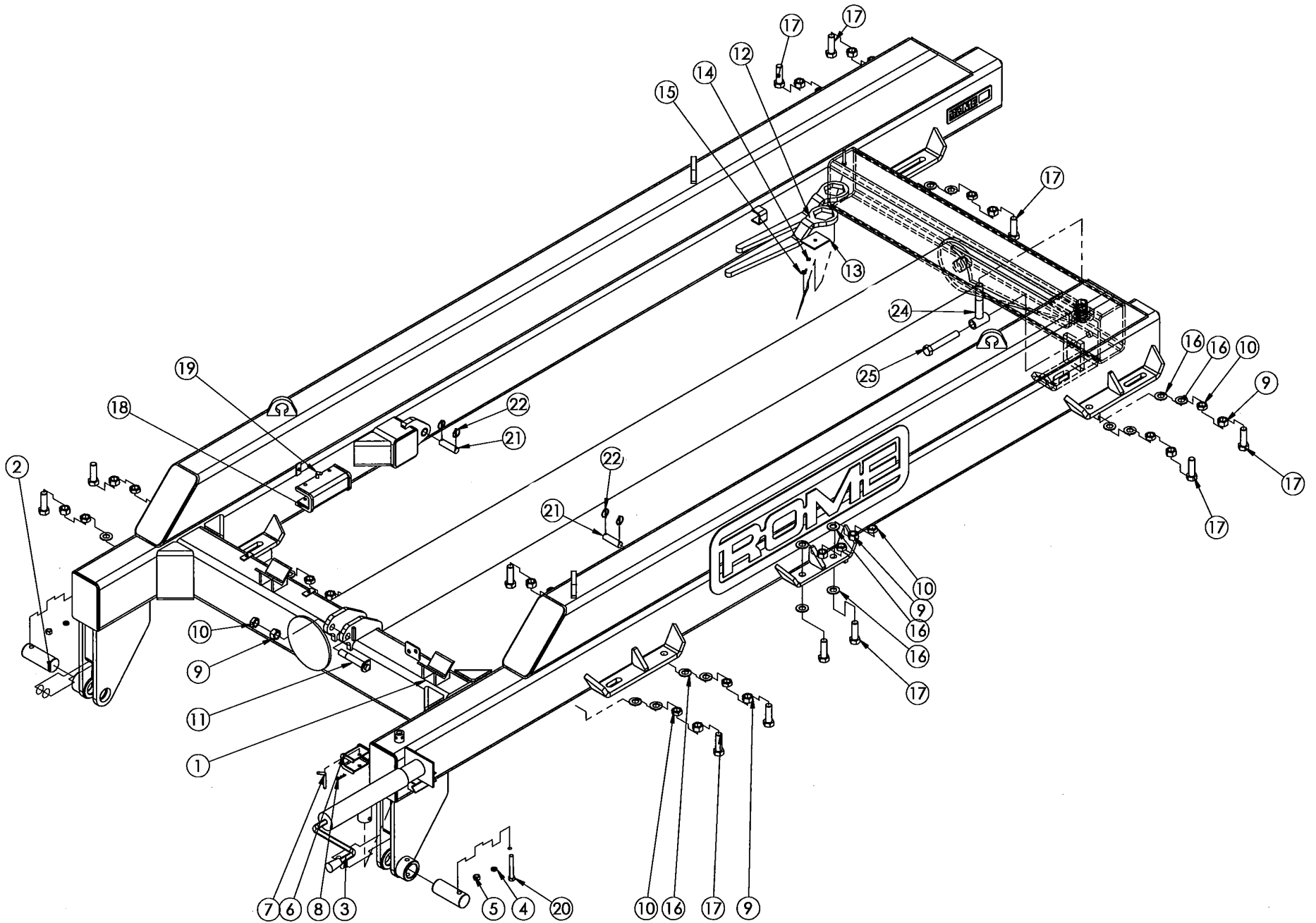
ER	F4801	TBA	7/1/15
LTR	CHANGE	BY	DATE

ROME

PART NO.

3061284

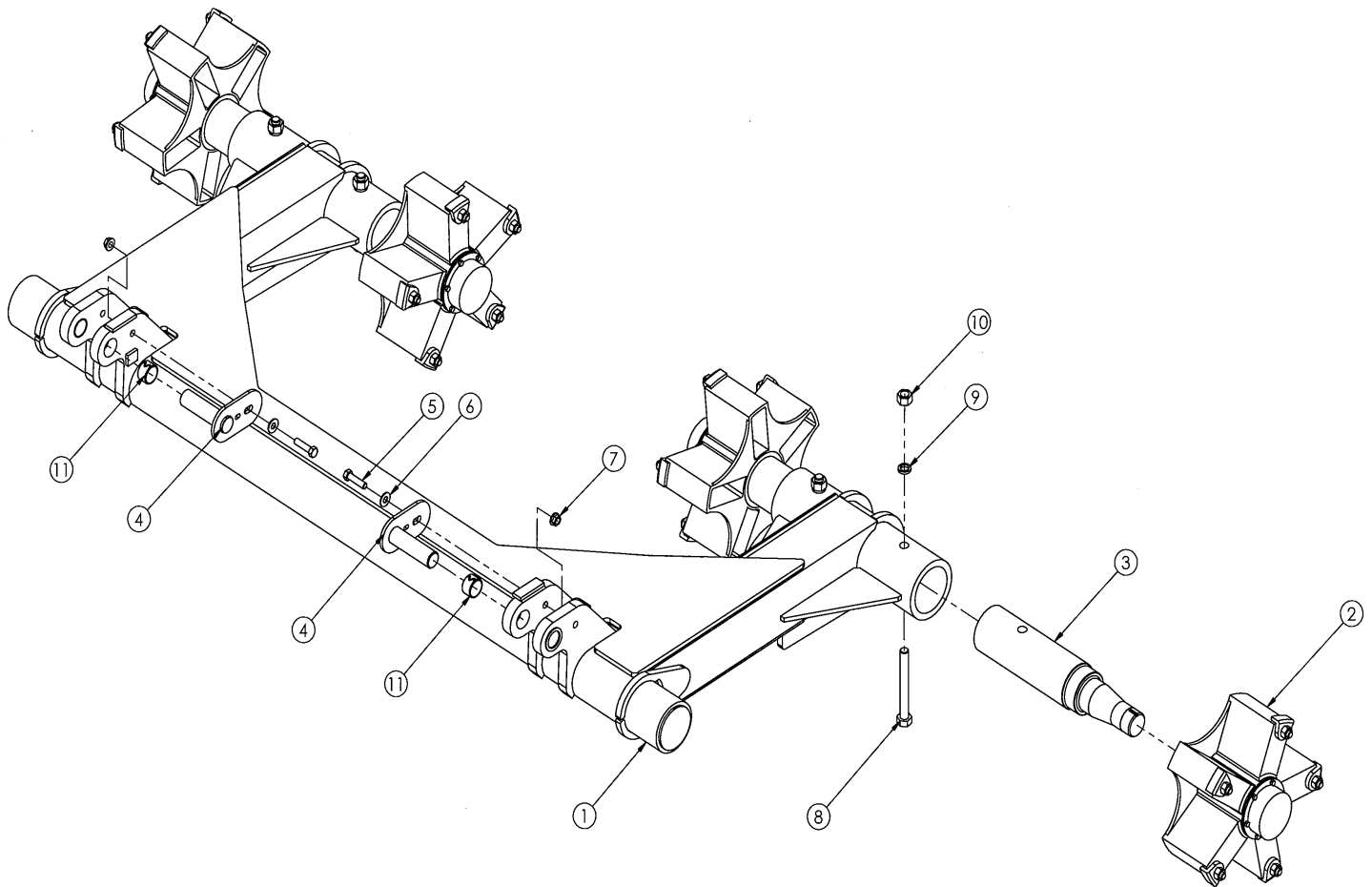
DRN. TBA	DATE: 7/6/2015	NAME: 42" DISK FRONT GANG ASSY	ACTUAL WT: 1658.25 LBS
CK.	SCALE: 1/1	MATERIAL: NOTED	



3059456 FRAME ASSEMBLY

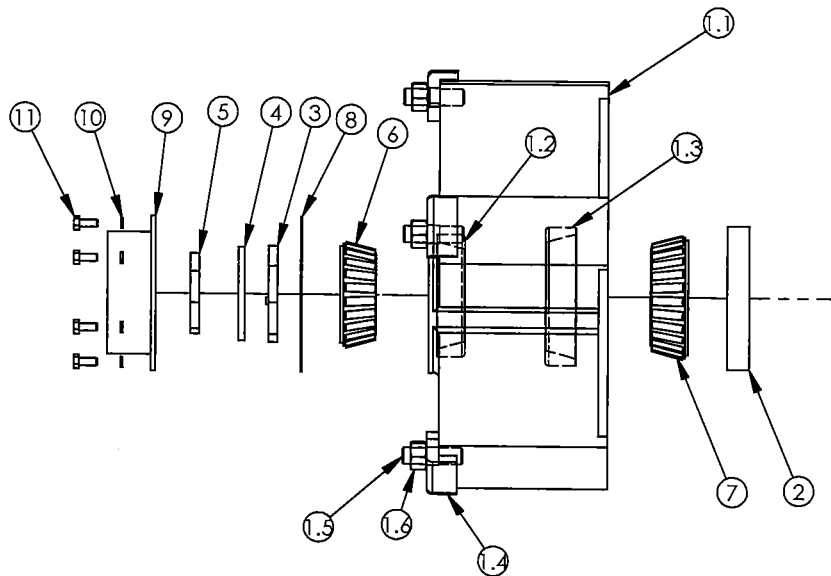
REF. NO.	PART NUMBER	PART NAME	NO. REQ'D
1	3059454	FRAME	1
2	3058419	PIN	2
3	TBX-8	JACK ASSEMBLY	1
4	LW-075	LOCK WASHER	2
5	NC-075	HEX NUT	2
6	3055886	CYLINDER LOCK	1
7	5005563	PIN	1
8	0503030168	CLIP PIN	3
9	NC-125	NUT, 1 ¼"	17
10	NC-125J	JAM NUT	17
11	3055881	PIN	1
12	2R-81	WRENCH	2
13	3043010	WRENCH LOCK PLATE	1
14	LW-050	LOCK WASHER	1
15	0503010918	WRENCH LOCK WING NUT	1
16	FW-125H	FLAT WASHER, 1 ¼" HARDENED	31
17	125400B8	BOLT, 1 ¼" X 4"	16
18	3028420	TRANSPORT LOCK	2
19	5005395	TRANSPORT LOCK PIN	2
20	075550B5	BOLT, ¾"	2
21	GM-22	CYLINDER PIN	2
22	AG-45	KLIK PIN	4
23	RW-17	TORQUE BOLT	1
24	125800B5	HEX BOLT	1

3059456 FRAME ASSEMBLY



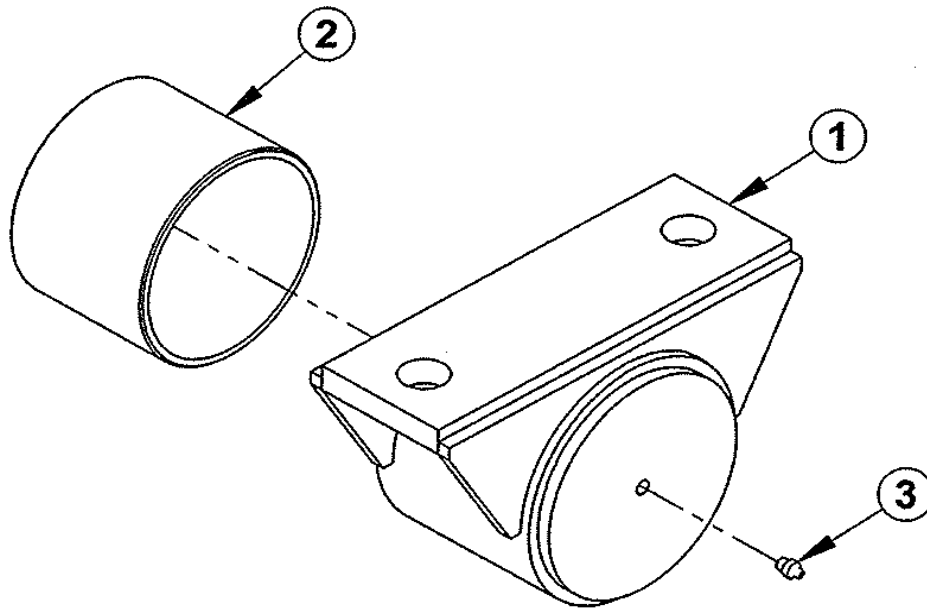
REF. NO.	PART NUMBER	PART NAME	NO. REQ'D
1	3065592	TRANSPORT	1
2	3031914	HUB ASSEMBLY	4
3	3065600	5" BOLT-IN SPINDLE	4
4	5005854	PIN	2
5	062250B8	HEX BOLT	2
6	FW-062	FLAT WASHER	2
7	NC-062FLZ	FLANGE LOCK NUT	2
8	100800B8	HEX BOLT	4
9	LW-100	LOCK WASHER	4
10	NC-100	NUT	4
11	5005856	SPRING BUSHING	4

3065591 TRANSPORT ASSEMBLY



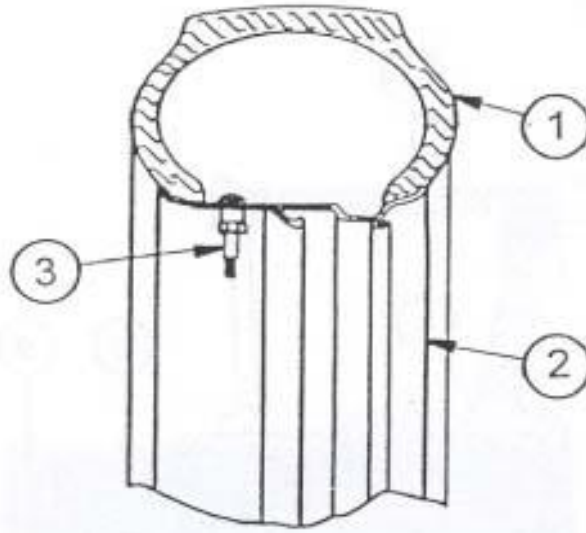
REF. NO.	PART NUMBER	PART NAME	NO. REQ'D
1	RW-830BR	CAST SPOKE WHEEL ASSEMBLY	1
1.1	3031916	CAST SPOKE WHEEL	1
1.2	RW-183-6A	OUTER CUP	1
1.3	3031917	INNER CUP	1
1.4	RW-183-10	RIM CLAMP	5
1.5	RW-183-9	STUD	5
1.6	NC-075H	HARDENED WASHER	5
2	3031918	GREASE SEAL	1
3	RW-183-12	SPINDLE NUT-INNER	1
4	RW-183-13	SPINDLE NUT LOCK	1
5	RW-183-14	SPINDLE NUT-OUTER	1
6	RW-183-15A	OUTER CONE	1
7	3031919	INNER CONE	1
8	3031920	GASKET	1
9	RW-183-8	HUB CAP	1
10	LW-031	LOCK WASHER	6
11	031075B5	HEX BOLT	6

3031914 HUB ASSEMBLY



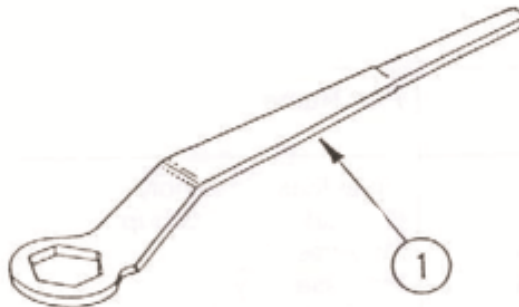
REF. NO.	PART NUMBER	PART NAME	NO. REQ'D
1	3054844	TRANSPORT BEARING	1
2	5005293	FILAMENT WOUND BUSHING	1
3	AL-012ZK	GREASE FITTING	1

3054932 TRANSPORT BEARING ASSEMBLY



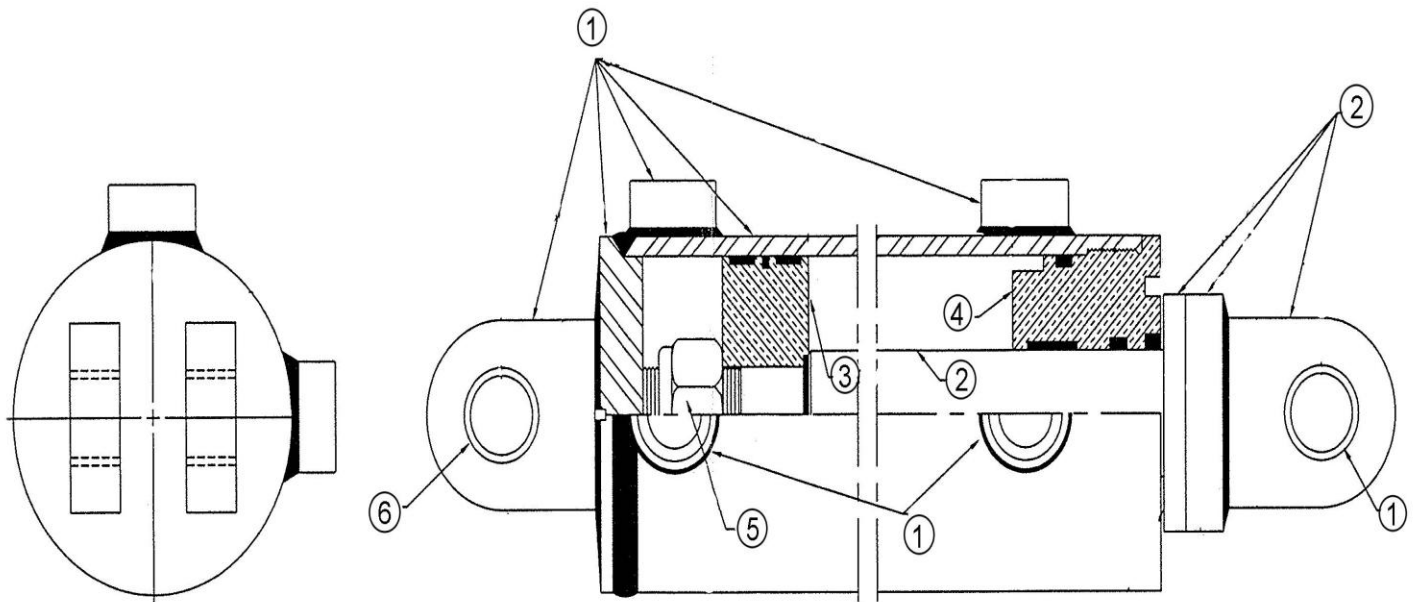
REF. NO.	PART NUMBER	PART NAME	NO. REQ'D
-	RW-3840	RIM & TIRE ASSEMBLY - 15 X 22.5, 16 PR	2
1	RW-384-1	TIRE	1
2	RW-384-2	RIM	1
3	RW-384-3	VALVE	1

RW-3840 RIM & TIRE ASSEMBLY - BOTH MODELS



REF. NO.	PART NUMBER	PART NAME	NO. REQ'D
1	2R-81	AXLE NUT WRENCH	2

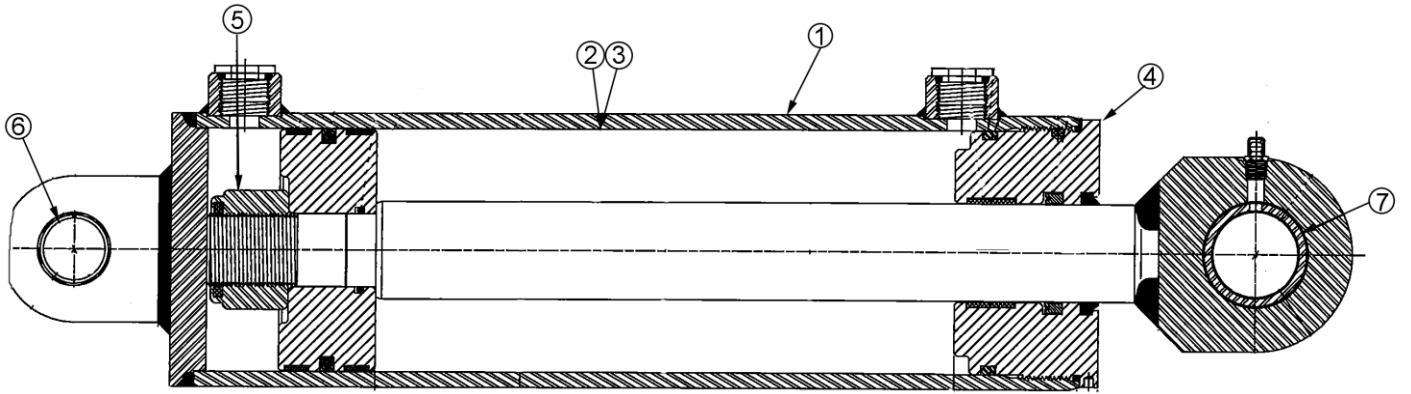
2R-810 BAG OF WRENCHES



REAR VIEW

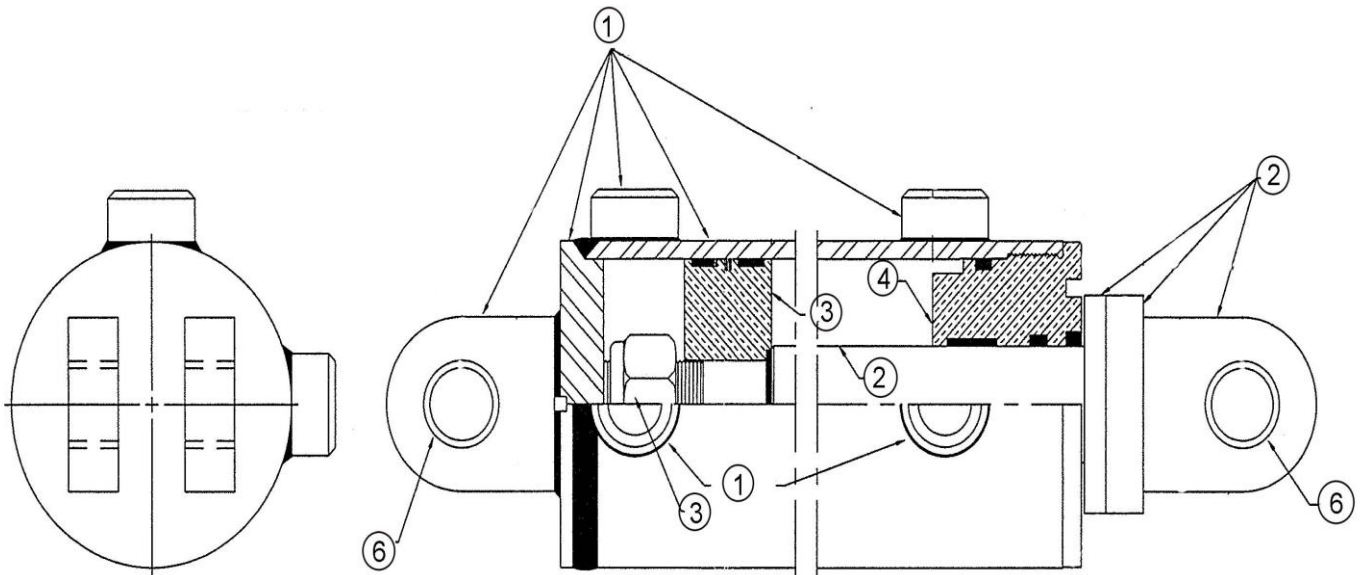
REF. NO.	PART NUMBER	PART NAME	NO. REQ'D
-	HPK-1716	SEAL KIT	1
1	CD96013	TUBE ASSEMBLY	1
2	CD96014	ROD ASSEMBLY	1
3	CD96015	PISTON	1
4	CD96016	GLAND	1
5	CD11170	LOCK NUT, 1 1/2" - 12	1
6	5004609	SPRING BUSHING	4

5005125 TRANSPORT CYLINDER



REF. NO.	PART NUMBER	PART NAME	NO. REQ'D
-	HPK-1716	SEAL KIT	1
1	524-5036498	TUBE ASSEMBLY	1
2	704-5036298	ROD ASSEMBLY	1
3	701-5036268	PISTON	1
4	502-502952C	GLAND	1
5	034-41771	LOCK NUT	1
6	5004609	SPRING BUSHING	2
7	122-503647A	STEEL BUSHING	2

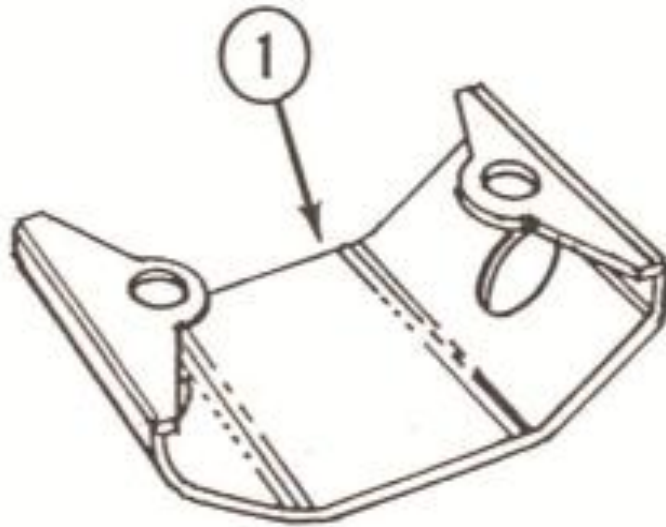
5005855 TRANSPORT CYLINDER



REAR VIEW

REF. NO.	PART NUMBER	PART NAME	NO. REQ'D
-	HPK-1716C	SEAL KIT	1
1	CD96017	TUBE ASSEMBLY	1
2	CD96018	ROD ASSEMBLY	1
3	CD96015	PISTON	1
4	CD96016	GLAND	1
5	CD11170	LOCK NUT, 1 1/2" - 12	1
6	5004609	SPRING BUSHING	4

5005141 TONGUE LEVELING CYLINDER



REF. NO.	PART NUMBER	PART NAME	NUMBER REQUIRED	
			TRCW-12	TRCW-16
1	3R-66WPA	BEARING WEAR PLATE	4	8

3R-66WPA BEARING WEAR PLATE ASSEMBLY - BOTH MODELS

NOTES:

WARNING

BE SURE THE CYLINDERS AND ATTACHING HOSES ARE FULLY CHARGED WITH OIL BEFORE OPERATING SYSTEM.

FAILURE TO DO SO WILL ALLOW WINGS AND FRAME TO FALL RAPIDLY WHEN ATTEMPTING TO LOWER FROM THE RAISED POSITION.

2

DANGER

TO AVOID INJURY OR DEATH DO NOT ADJUST OR SERVICE MACHINE WHILE IN MOTION

3

WARNING

TO AVOID INJURY, INSTALL CHOCKS DEEPER LOCKUP'S BEFORE TRANSPORTING OR SERVICING MACHINE

4

ATTENTION

GREASE ALL THE PIVOT POINTS DAILY.

PART NO. 3006281

5

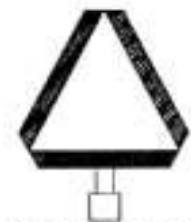
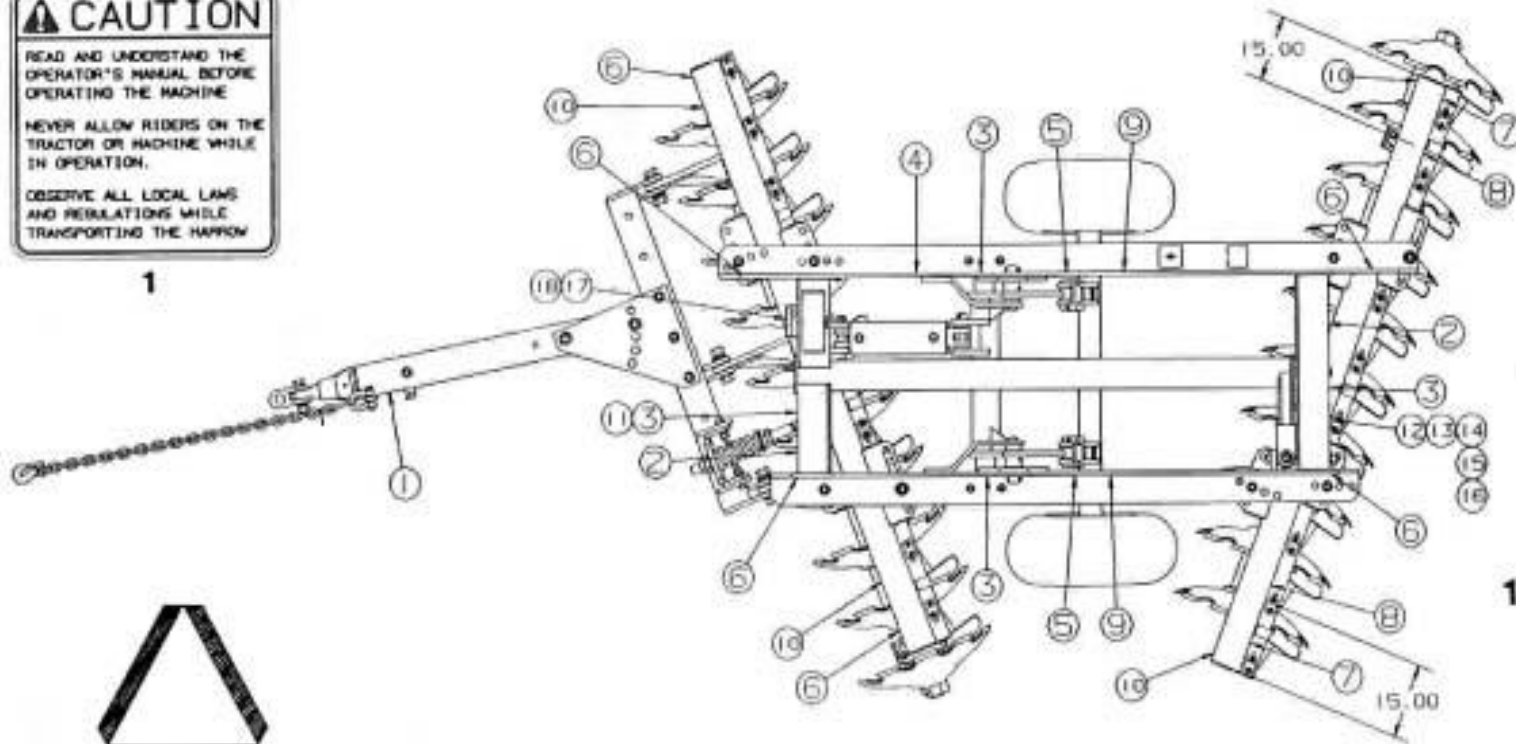
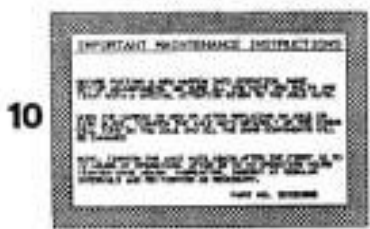
CAUTION

READ AND UNDERSTAND THE OPERATOR'S MANUAL BEFORE OPERATING THE MACHINE

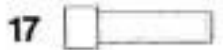
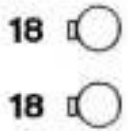
NEVER ALLOW RIDERS ON THE TRACTOR OR MACHINE WHILE IN OPERATION.

OBSERVE ALL LOCAL LAWS AND REGULATIONS WHILE TRANSPORTING THE HARROW

1



12,13,14,15,16



THE DIMENSIONS ARE FOR ITEM #8 YOU MUST PLACE DECALS ACCORDING TO THE DIMENSIONS SPECIFIED.

3046990 SAFETY DECAL GROUP

REF. NO.	PART NUMBER	PART NAME	NO. REQ'D
1	5004616	CAUTION DECAL	1
2	5004617	WARNING DECAL	2
3	5004619	DANGER DECAL	4
4	5005400	WARNING DECAL	1
5	5005281	ATTENTION DECAL	2
6	5005388	AMBER REFLECTIVE DECAL	6
7	5005389	RED REFLECTIVE DECAL	2
8	5005387	FLORESENT RED DECAL	2
9	5004643	ROME LOGO	2
10	5005398	MAINTENANCE DECAL	4
11	5005399	CAUTION DECAL	1
12	5004770	S.M.V. EMBLEM	1
13	5004771	STAFF	1
14	5004772	BASE	1
15	031050B5	HEX BOLT	2
16	LW-031	LOCK WASHER	2
17	5005213	PARTS BOOK HOLDER	1
18	5005214	HOSE CLAMP	2

3046990 SAFETY DECAL GROUP

HOW TO ORDER PARTS

Please be sure to furnish the quantity, part number, and name of each part wanted. It is also important to give the Serial Number of the machine for which parts are intended. It is also suggested that the Serial Number of the machine be written on the space below so that it will be readily available when you need it.

THIS PARTS BOOK IS FOR:

MACHINE SERIAL NUMBER:

To ensure prompt delivery, please furnish the correct name of the co-signee, as well as the street address, city, state, and zip code to which the parts are to be shipped. Also, please indicate whether shipment is to be by truck, UPS, air courier, or by other means.

**ONLY ROME PARTS GIVE
ROME PERFORMANCE**

The same quality and craftsmanship that have made Rome products famous throughout the world are built into all Rome replacement parts



**MISSOURI MACHINE & PLOW, LLC.
475 SIXTH STREET / P.O. BOX 48
CEDARTOWN, GA 30125 USA
PHONE NUMBER: 770-748-4450
WWW.ROMELOW.COM**

WARRANTY

ROME AGRICULTURAL/CONSTRUCTION PRODUCTS WARRANTY

MISSOURI MACHINE & PLOW, LLC.

PO BOX 48, CEDARTOWN, GA 30125, USA

(1) WHAT IS COVERED BY THIS WARRANTY: Missouri Machine & Plow, LLC., hereafter referred to as Rome, warrants, to the original retail purchaser only, or placed in the dealers' rental fleet, that all equipment, parts, and accessories which it manufactures are free from defects in material or workmanship under normal agricultural/construction use, service, proper setup, and adjustment. **The duration of this warranty is one (1) year from the date of delivery to the original purchaser.** This warranty is limited to the repair or replacement of part or parts to the original purchaser, found by the manufacturer, through the authorized selling dealer, to be defective in material or workmanship in the warranty period. Labor for authorized repairs are covered at dealer registered labor rate based on Rome's published flat rate. Rome reserves the right to have defective parts returned to Missouri Machine & Plow, LLC. At 475 Sixth Street, Cedartown, GA 30125, prepaid by the dealer or purchaser and accompanied by a completed Warranty Return Authorization Number. Rome shall complete such repair or replacement within a reasonable time after Rome receives the product. Rome may, at its option, authorize its representatives to make adjustments in the field. Consult your dealer before removing any parts or making repairs. For warranty claims, notify the selling dealer.

(2) WHAT IS NOT COVERED BY THIS WARRANTY: Rome does not warranty: (a) any product component or parts not manufactured by Rome (including, but not limited to, tires), (b) repairs made by unauthorized persons, (c) damage caused by use for purposes other than those for which it was designed, (d) damage caused by disasters such as fire, flood, wind, and lightning, (e) damage caused by neglect, abuse, abnormal use, improper or unreasonable use, accident or misuse, (f) damage caused by unauthorized attachments, alterations, or modifications, (g) damage caused by improper service, setup or adjustments, (h) Rome equipment which has had the serial numbers removed or made illegible, (i) normal wear, (j) transportation to and from authorized dealer's place of business or Rome, (k) dealer travel hours, (l) mileage, (m) labor for unauthorized.

(3) DISCLAIMER OF WARRANTY: The foregoing warranties are in lieu of all other warranties of merchantability and fitness for a particular purpose. Any implied warranty of merchantability or fitness for a particular purpose is limited to the duration of this limited warranty. This warranty gives you specific legal rights and you may have other rights, which vary from state to state.

(4) LIMITATION OF REMEDIES: In no case shall Rome be liable for any special, incidental, or consequential damages based on breach of warranty, breach of contract, negligence, strict liability in tort, or any other legal theory. Such damages include, but are not limited to, loss of profits, loss of savings and revenue, loss of use of the equipment, or any associated equipment, cost of capital, cost of any substitute equipment, facilities, or services, downtime, the claims of third parties, and injury to property. Some states do not allow limitations or incidental or consequential damages, so the above may not apply to you.

(5) NO OTHER WARRANTIES: Unless modified in writing, signed by both parties, and approved by the General Manager of Rome, this agreement is understood to be the complete and exclusive agreement between the parties, superseding all prior agreements, oral or written, and all other communications between the parties relating to the subject matter of this agreement. No employee of Rome or any other party is authorized to make any warranty in addition to those made in this agreement.

(6) Rome reserves the right to improve products through modifications and changes in design or material without being obligated to incorporate such changes in products of prior manufacture.

MISSOURI MACHINE & PLOW, LLC. WARRANTY
1 YEAR LIMITED WARRANTY & OWNER REGISTRATION FORM
MISSOURI MACHINE & PLOW, LLC. PO BOX 48, CEDARTOWN, GA, 30125 USA

Product Name: _____

Model Number: _____

Serial Number: _____

Owner/Purchaser Name: _____

Address: _____

City: _____ **State:** _____ **Zip:** _____

Phone: (____) _____

Owner/Purchaser Name: _____

Address: _____

City: _____ **State:** _____ **Zip:** _____

I have checked this equipment and reviewed the Owner's Manual and safe operating instructions with the owner.

Dealer Signature: _____

Date: _____

I have been instructed in the sale and proper operation of this equipment. I have received a copy of the Owner's Manual and accept the terms of warranty offered. I promise to instruct any and all other operators, or any future owner of this equipment, on its safe and proper use and care.

Owner's Signature: _____

Date: _____



MISSOURI MACHINE & PLOW, LLC.
475 SIXTH STREET / P.O. BOX 48
CEDARTOWN, GA 30125 USA
PHONE NUMBER: 770-748-4450
WWW.ROMEPLOW.COM